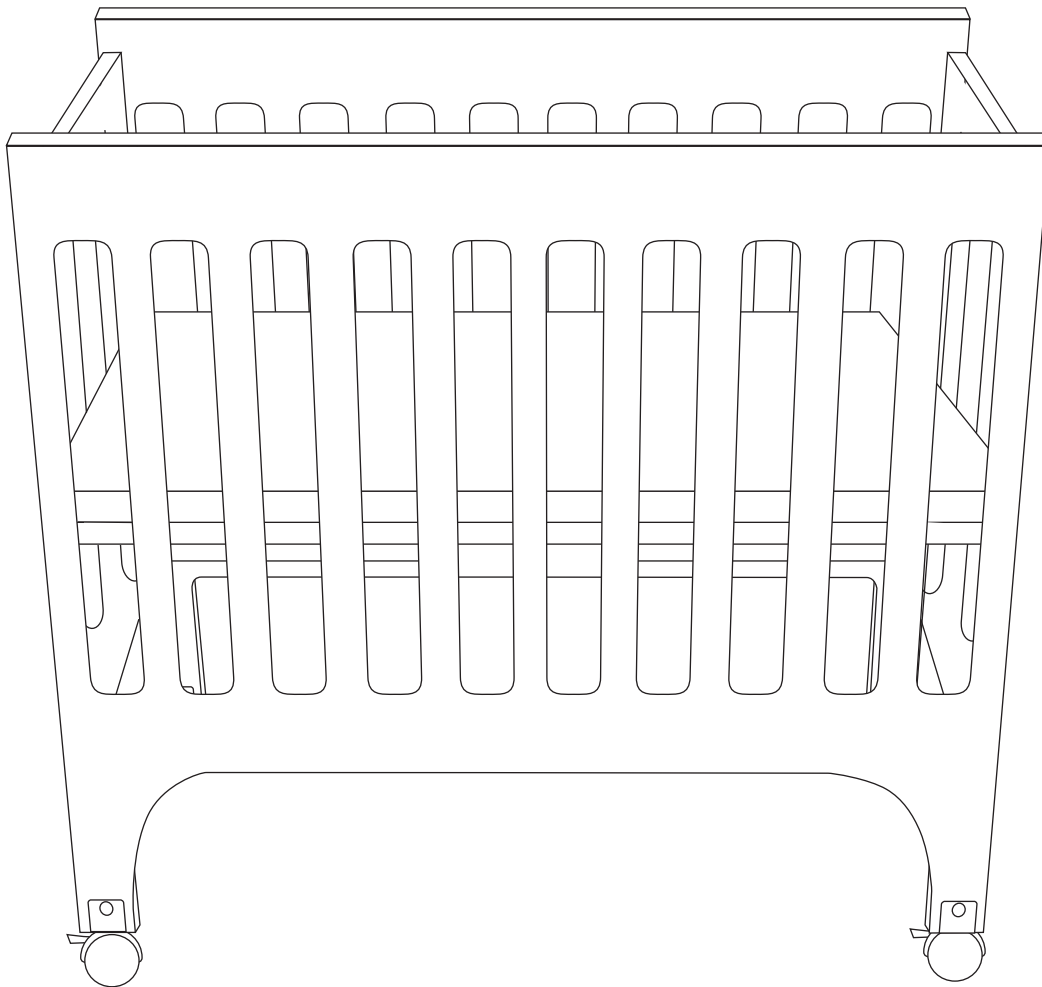


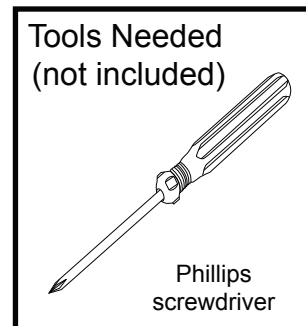
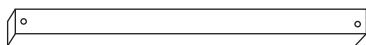
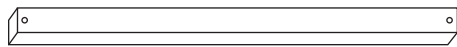
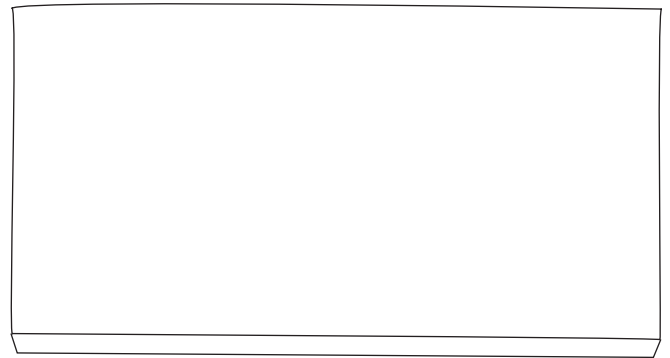
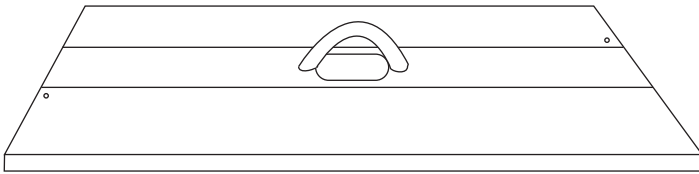
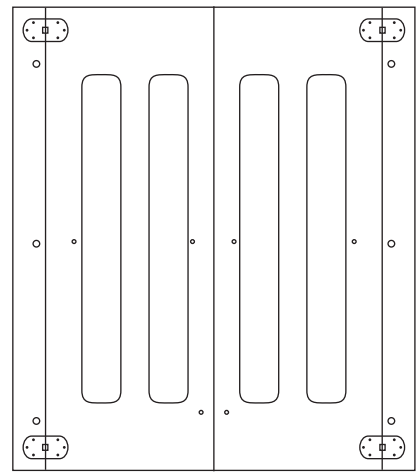
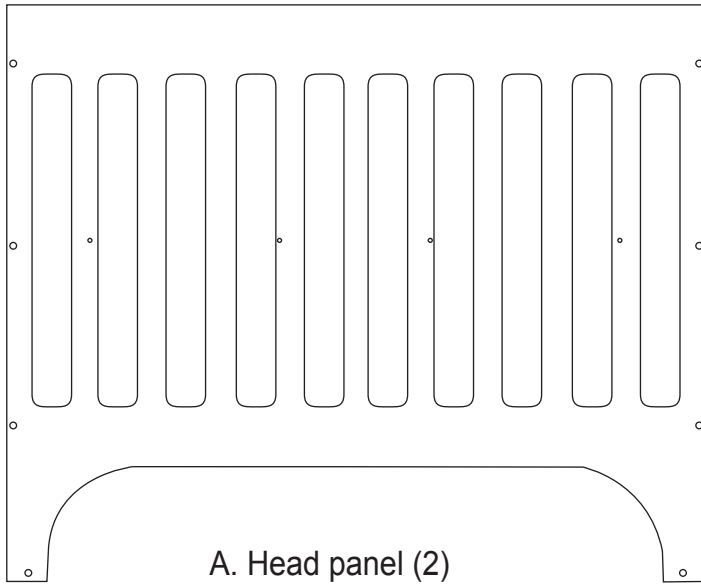
Congratulations on purchasing a MDB Family product. This crib will provide many years of service if you adhere to the following guidelines for assembly, maintenance, and operation. This crib is for residential use only. Any institutional use is strictly prohibited.

Please be sure to follow the instructions for proper assembly. Do not use power screwdrivers. All of our cribs are made from woods. Please understand that woods have color variations which are the result of nature and are not defects in workmanship.

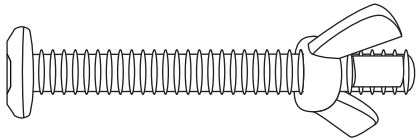
**DO NOT SUBSTITUTE PARTS. ALL MODELS HAVE THE SAME QUANTITY OF PARTS AND HARDWARE. YOUR MODEL MAY LOOK DIFFERENT FROM THE ONE ILLUSTRATED DUE TO STYLISTIC VARIATIONS.**



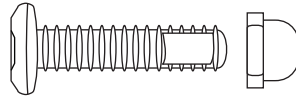
# CRIB PARTS



# HARDWARE



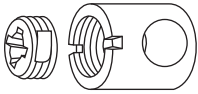
H1. 2-1/8" Allen head bolt with wing nut (2)



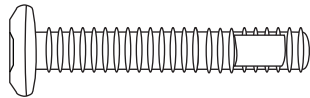
H2. 1-1/8" Allen head bolt with cap (4)



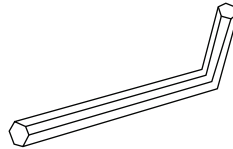
H3. 2" Cam bolt (12)



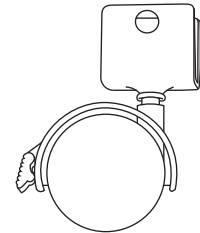
H4. Cam lock with nut (12)



H5. 1-9/16" Allen head bolt (16)



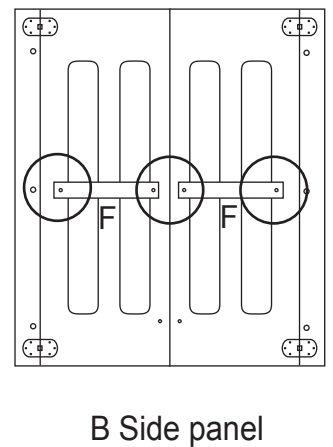
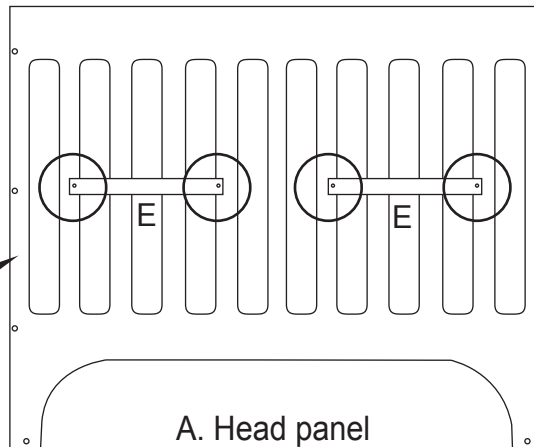
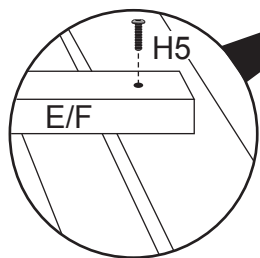
H6. Allen Wrench



H7. Caster with stopper (4)

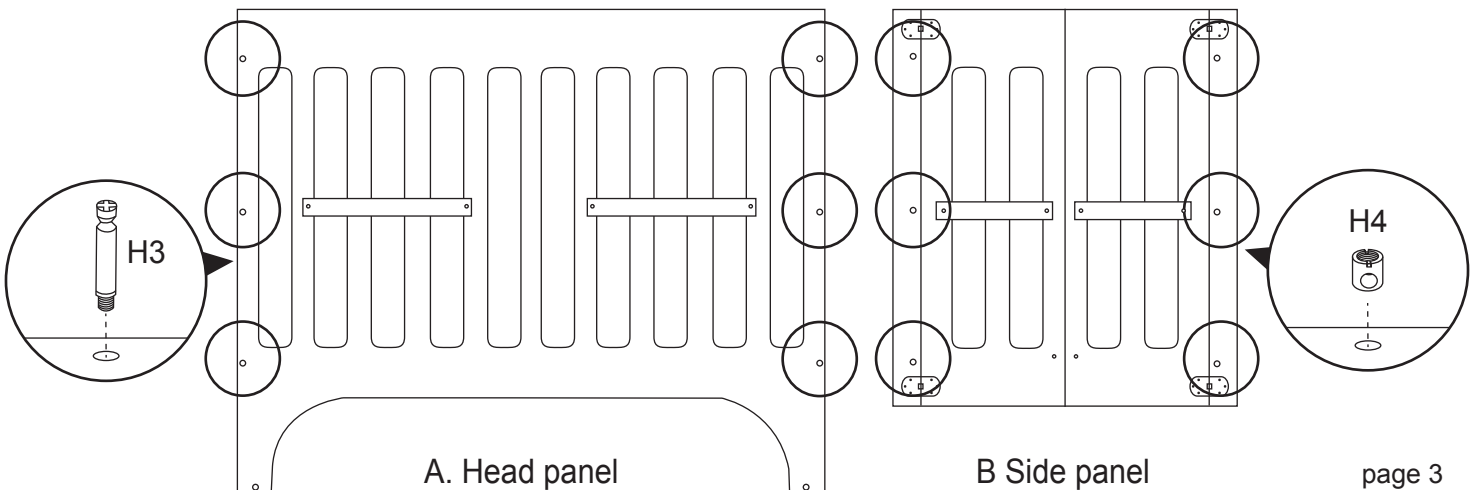
## STEP 1.

Attach base board support bars (E & F) to all head panels (A) and side panels (B) using 1-9/16" Allen head bolts (H5). Use the Allen Wrench (H6) to secure the bolts.



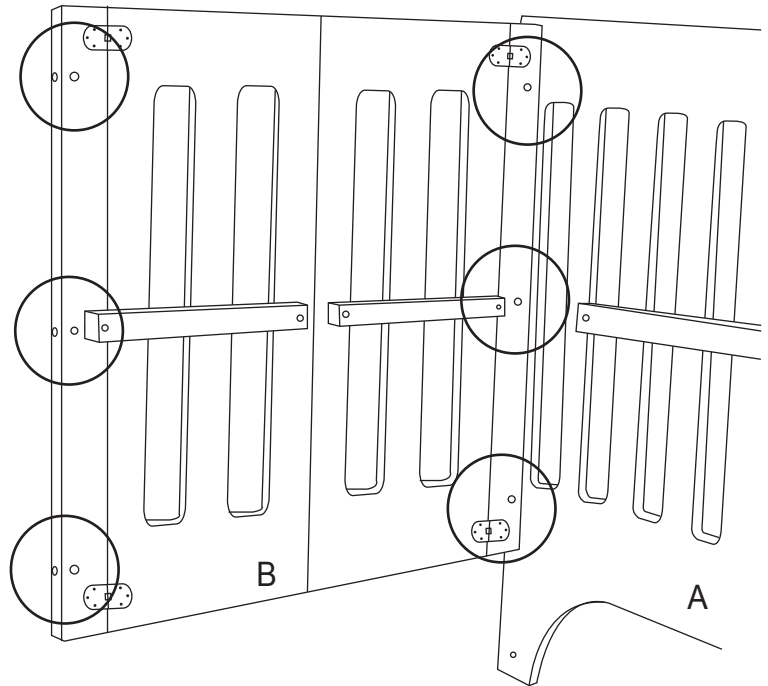
## STEP 2.

Insert cam bolts (H3) to head panels (A). Insert cam locks (H4) to side panels (B).



**STEP 3.**

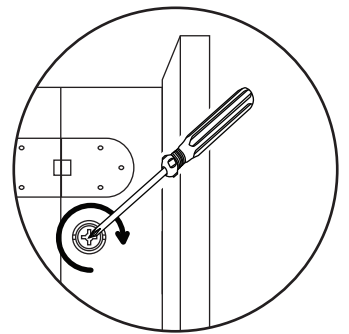
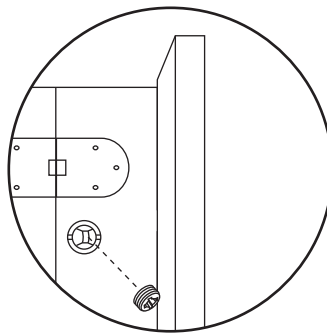
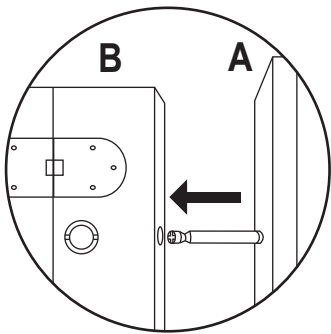
Assemble side panels (B) and head panels (A).



**3a.** Align the cam bolt and cam lock and insert the cam bolt to side panel. Make sure cam bolt is passing through the cam lock.

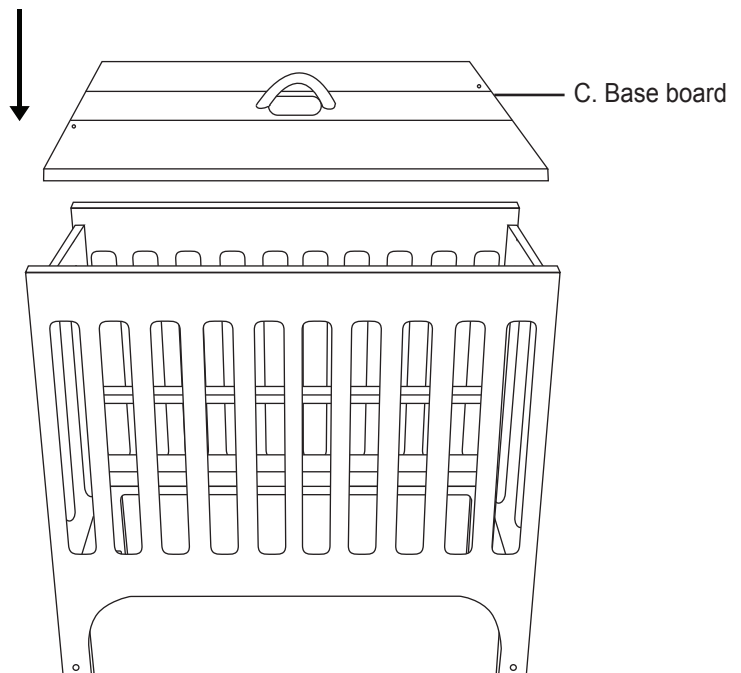
**3b.** Insert the cam lock nut.

**3c.** Rotate the cam lock nut to secure the bolt.



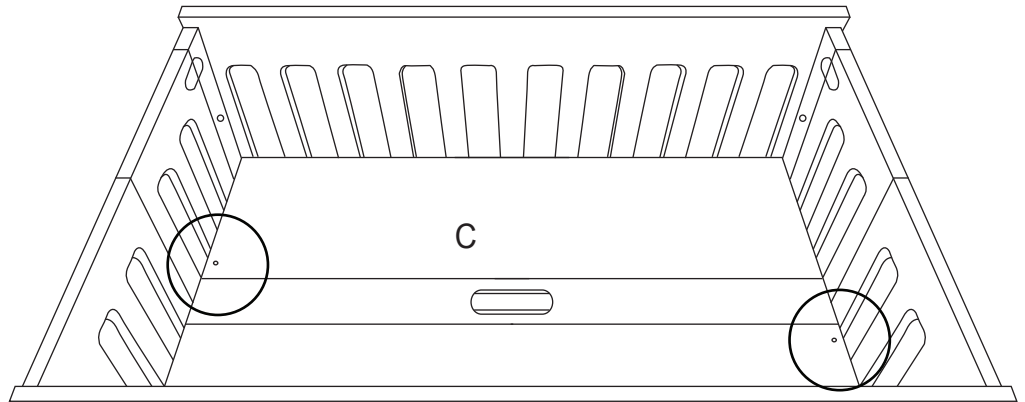
**STEP 4.**

Place the base board (C) into the crib frame.

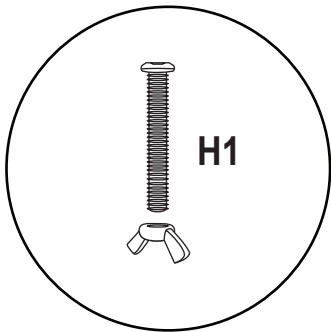


**STEP 5.**

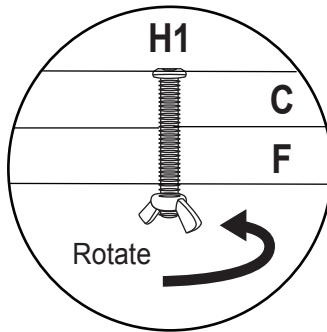
Locate the base board (C) onto the support bars. Secure base board (C) using 2-1/8" Allen head bolt with wing nut (H1) as illustrated. Rotate the wing nuts at the bottom of Allen head bolts to fix the base board (C) and support bars (F).



**5a.** Remove the wing nut from the Allen head bolt H1.

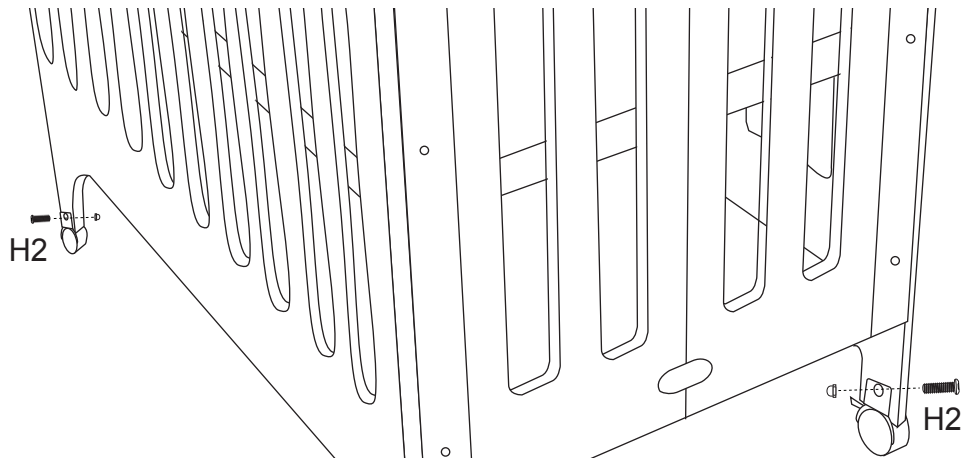


**5b.** Rotate the wing nut at the bottom of H1 to fix the base board (C) and support bar (F).

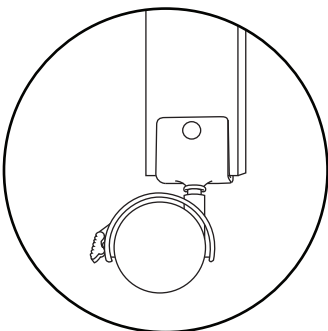


**STEP 6.**

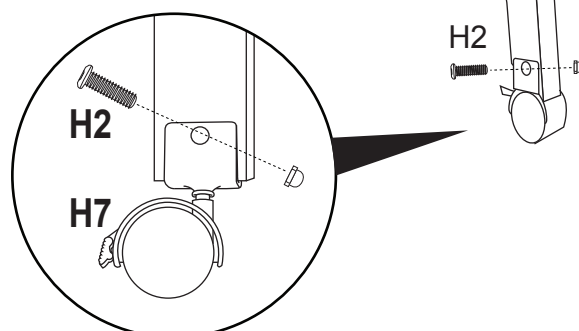
Attach 4 casters (H7) to the bottom of 4 crib legs using 1-1/8" Allen head bolts with caps (H2).



**6a.** Align the caster to the bottom of leg.

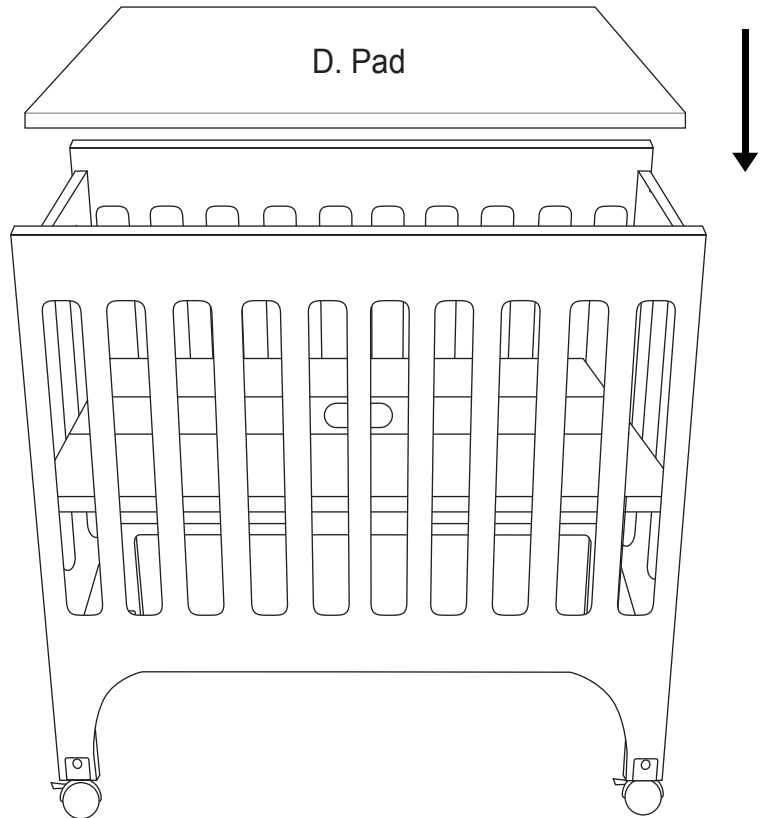


**6b.** Bolt the caster to the bottom of leg using H2 and H7.



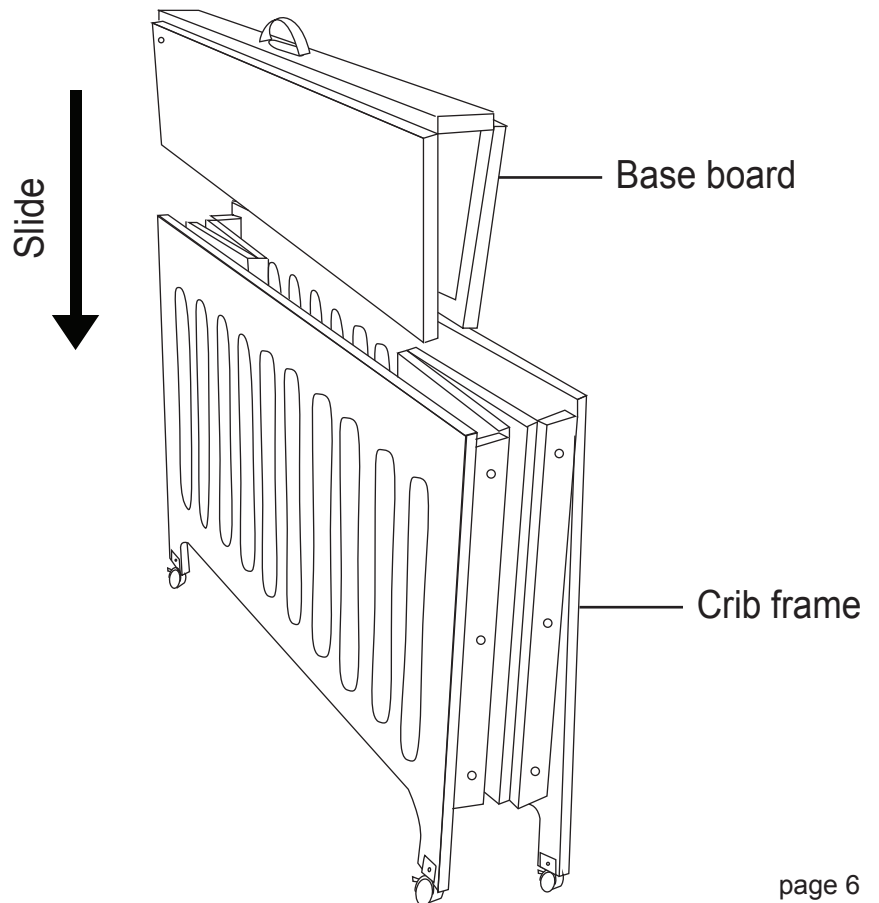
**STEP 7.**

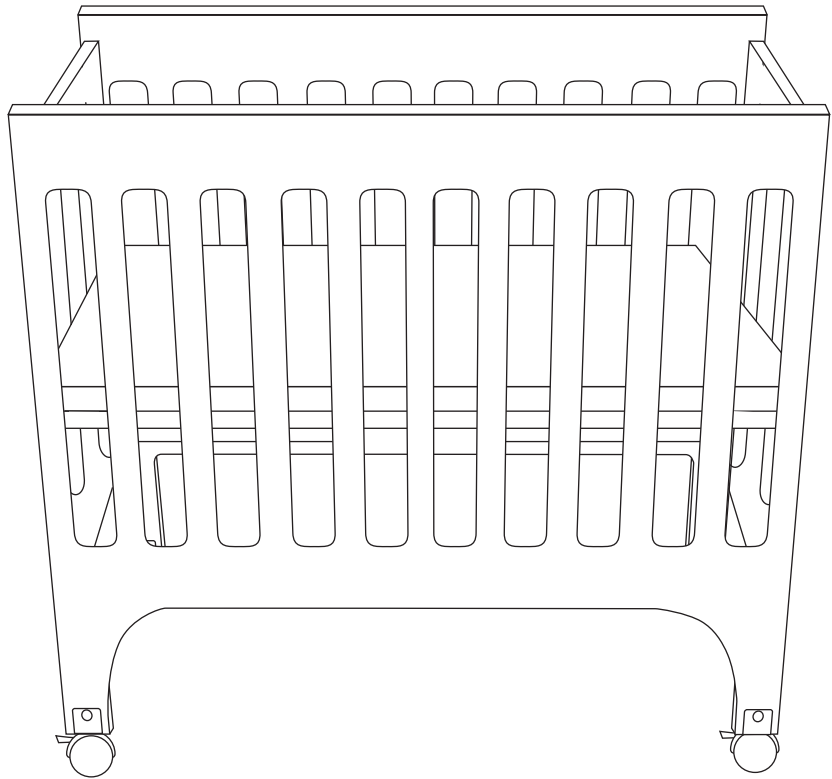
Place the pad (D) onto the base board (C). And the crib is ready to use.



**Ways to fold and store:**

1. Remove the pad (D) and base board (C) from the crib frame.
2. Fold the base board (C) and the crib frame.
3. Slide in the base board (C) to crib frame as illustrated.





Read all instructions **BEFORE** assembly and **USE** of product.

**KEEP INSTRUCTIONS FOR FUTURE USE.**

**⚠ WARNING : INFANTS CAN SUFFOCATE**

- In gaps between a mattress too small or too thick and product sides
- On soft bedding

NEVER add a mattress, pillow, comforter, or padding.

**CAUTION: Use ONLY mattress / pad provided by manufacturer (which must be at least 37-2/5" long by 23-3/8" wide and not more than 1" thick)**

Please refer to the label (sample below) on the inside face of the headboard. Record the model/ item number and serial number of your crib, the name of the store where you made the purchase, the date of purchase and the wood finish in the box to the lower right.

**WE WILL ASK YOU FOR YOUR SERIAL NUMBER FOR ALL WARRANTY AND REPLACEMENT PART REQUESTS. PLEASE REFER TO THE LAST PAGE OF THIS INSTRUCTION SHEET FOR WARRANTY INFORMATION. KEEP THIS MANUAL FOR FUTURE REFERENCE.**

**Use ONLY mattress / pad provided by manufacturer (which must be at least 37-2/5" long by 23-3/8" wide and not more than 1" thick)**

|                     |  |
|---------------------|--|
| MODEL/ITEM NUMBER   |  |
| SERIAL NUMBER       |  |
| DATE OF MANUFACTURE |  |

THIS PRODUCT CONFORMS TO THE APPLICABLE REGULATIONS OF THE CONSUMER PRODUCTS SAFETY COMMISSION.

855 WASHINGTON BLVD.  
MONTEBELLO, CA 90640  
www.themdbfamily.com

SAMPLE LABEL

Model Number: \_\_\_\_\_

Serial Number: \_\_\_\_\_

Store Where Purchased: \_\_\_\_\_

Date of Purchase: \_\_\_\_\_

Wood Finish: \_\_\_\_\_

**Please read the Caution and Warning Statements insert before using your crib.**

**READ ALL INSTRUCTIONS BEFORE ASSEMBLING  
CRIB. KEEP THE MANUAL FOR FUTURE USE.**

 **WARNING**

**Failure to follow these warnings and the instructions could result in serious injury or death.**

- The product, including side rails, must be fully erected prior to use.
- Make sure latches are secure.
- Strings can cause strangulation! Never place items with a string around a child's neck such as hood strings or pacifier cords. Never suspend strings over product or attach strings to toys.
- Discontinue use of the product when child is able to climb out or reaches the height of 35in. (890mm).
- Child can become entrapped and die when improvised netting or covers are placed on top of a product. Never add such items to confine child in product.
- When child is able to pull to standing position, set mattress/base to lowest adjustment position and remove bumper pads, large toys, and other objects that could serve as steps for climbing out.
- Never place product near a window where cords from blinds or drapes can strangle a child.
- Use ONLY mattress/pad provided by manufacturer (which must be at least 37-2/5" long by 23-3/8" wide and not more than 1" thick)
- Always provide the supervision necessary for the continued safety of your child. When used for playing, never leave child unattended.
- To reduce the risk of SIDS, pediatricians recommend healthy infants be placed on their back to sleep, unless otherwise advised by your physician.
- Never use this product if there are any loose or missing fasteners, loose joints, broken parts, or torn mesh/ fabric. Check before assembly and periodically during use. Contact MDB Family for replacement parts. Never substitute parts.
- Never leave child in product with side lowered. Be sure side is in raised and locked position whenever child is in product.
- Never use plastic shipping bags or other plastic film as mattress covers not sold and intended for that purpose. They can cause suffocation.
  - Never use a water mattress with this product.
  - If refinishing, use a nontoxic finish specified for children's products.

**ONE YEAR LIMITED WARRANTY:**

We will replace any missing parts at the time of purchase or any defective item within a one year period from the date of original purchase. Please keep your receipt so that we may process your warranty request. This warranty only covers new units with original packaging and ownership, and is not transferable. It does not cover any used, secondhand or demo models.

This warranty does not cover any damaged or defective parts that result from installation and assembly, normal wear and tear, abuse, negligence, improper use or alteration to the finish, design, and hardware of the crib. The specific legal rights of this warranty may vary from state to state. Some states do not allow any exclusion or limitation of incidental damages. Some states do not allow limitation on how long an implied warranty lasts.

**Storage:**

- Woods exchange moisture with the air adjusting to major changes in room temperature and humidity. Therefore it is best to place your furniture away from heating or air-conditioning vents.
- Sunlight is not friendly to solid wood furniture and prolonged direct exposure to harsh sunlight can discolor the finish. Be careful not to place your furniture in direct sunlight for extended periods of time.
- As with all your fine furniture, blot up spills immediately.

**Care and Cleaning:**

Do not scratch or chip the finish. Do not use abrasive chemicals for cleaning. Clean with mild soap on a soft rag. Rinse and dry thoroughly. If you ever refinish this furniture, be sure to use only a non-toxic finish specified for children's products. If you choose to refinish this furniture, the warranty will be voided.

Registering your product is even easier than before. You can register your product on our website at : [www.themdbfamily.com](http://www.themdbfamily.com)

IF YOU WOULD LIKE TO ORDER  
REPLACEMENT OR MISSING PARTS  
PLEASE VISIT US AT:

**WWW.THEMDBFAMILY.COM**

OR YOU CAN CONTACT US BY MAIL:

**MDB FAMILY  
855 WASHINGTON BLVD.  
MONTEBELLO, CA 90640**



**WARNING:**

Please do NOT remove any wood screws in the normal disassembly of the crib.